

Dual Coin PRO

Indoor change machines



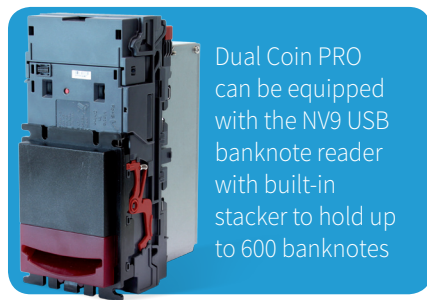
Sturdy and secure in every applications

Ideal solution for dispensing large amounts of coins/tokens

Its exceptional structural strength, the reinforced closing mechanisms and ccTalk protocol make it one of the most secure change machines on the market. The 32-bit CPU provides notable functions, such as importing/exporting configuration parameters, exporting accounting data and the useful function of machine cloning.

Features

- Distribution of coins and tokens. Bonus function for tokens
- Coins/tokens dispensed automatically or manually
- Separate dispensing of coins and tokens (contained in different hoppers), using the appropriate button
- 32-bit CPU with SD-Card: exporting of accounting data and importing of configuration parameters via SD-Card
- Machine cloning function
- Internal on/off controls to prevent tampering
- Pivoting door to facilitate dispenser-loading and cash box removal operations
- Additional doors to recharge the change machine (on the cover)
- Installation:
 - wall mounted through 3 anchoring bolts at the back side of the device
 - Countertop
 - Free standing



Installed peripherals

- Evolution hoppers with extensions
- NV9 USB/NV10 USB banknote reader

Tools

Multiconfig

Software to configure the change machine

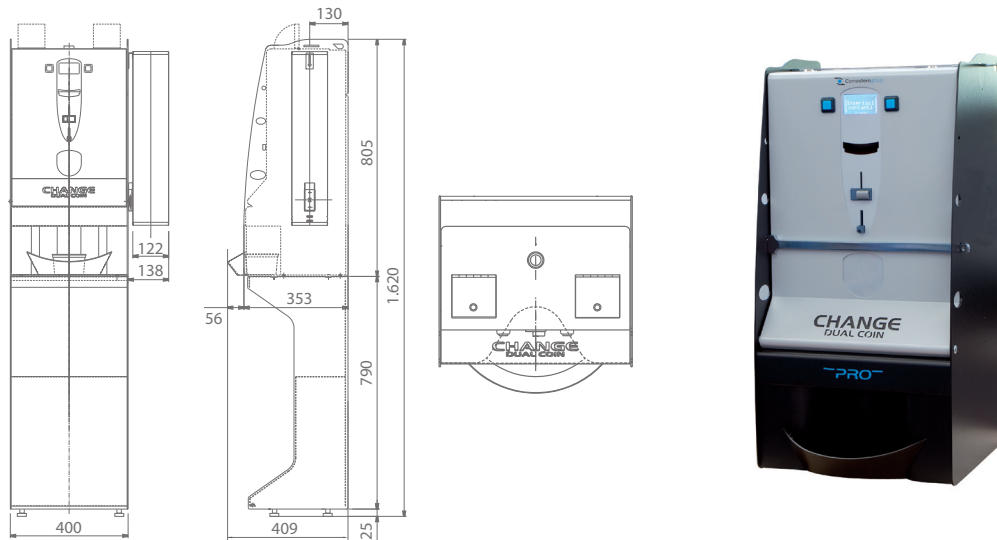
Optional peripherals

- RM5 HD coin validator

Optional accessories

- Brain remote control device
- Support base
- Reprogrammable lock
- Coin/token collection cups (max h 120 mm - Ø 145 mm)
- Cup dispensing tube
- Steel protective bars

Technical Schematics



Note Unit of measure: mm

Technical specifications

	Change machine	Change machine with support base
Dimensions (LxHxW)	400 x 805 x 409 mm	400 x 1,620 x 409 mm
Weight	43 kg	60 kg
Power supply	230 Vac - 50 Hz	230 Vac - 50 Hz
Power consumption	60 W max	60 W max
Operating temperature	3°C ÷ 50 °C	3°C ÷ 50 °C

Coin Capacity

	0.5 €	1 €	2 €
2 Evolution hoppers with extensions	7,000	3,500	6,500
Cash box			4,600